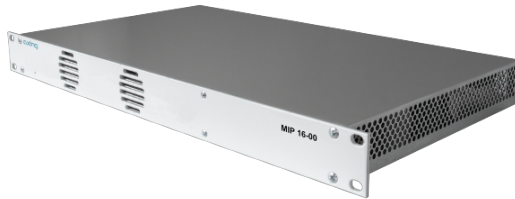


MIP 16-00 Multituner | IPTV hexadeca streamer | FTA



- ✓ 16 independent multituner inputs
- ✓ Transmodulates 16 × DVB-S/S2/S2x/T/T2/C into 512 SPTS/16 MPTS
- ✓ GbE-interface with max. 800 Mbps
- ✓ Web-based configuration, remote maintenance (SMARTPortal)
- ✓ Supports SNMPv1 and SNMPv2c
- ✓ M3U playlist for the TV/radio programs of the transport stream
- ✓ Class A according to EN 50083-2
- ✓ 19" housing, 1RU
- ✓ Two redundant power supplies (hot pluggable)

Order information

Type	MIP 16-00
Order no.	MIP01600
GTIN	7611682006629
PE	1
VE	1
EU customs tariff number	85176990

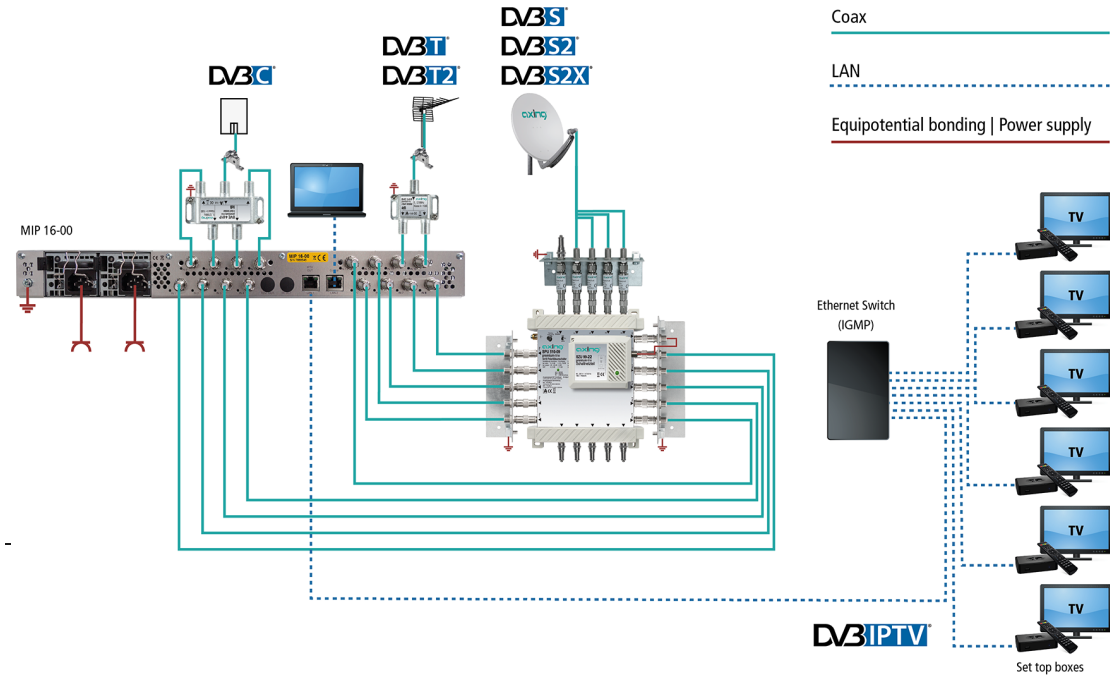


Technical data

Inputs	
Number of tuner	16 × DVB-S/S2/S2x/T/T2/C
Connector	16 × F-female
Frequency range	900...2150 MHz @ DVB-S/S2/S2X 50...898 MHz @ DVB-C 50...898 MHz @ DVB-T/T2
Input level	43...84 dBµV @ DVB-S/S2/S2X 49...84 dBµV @ DVB-C 39...84 dBµV @ DVB-T/T2
LNB voltage	13/17 V; 22 kHz on/off; DiSeqC 1.0
Max. LNB current	150 mA per input 1000 mA per device
Input modulation	
Type	QPSK/8PSK/ 8APSK/16APSK/32APSK @ DVB-S/S2/S2X QAM16, QAM32, QAM64, QAM128, QAM256 @ DVB-C QPSK, QAM16, QAM66 @ DVB-T QPSK, QAM16, QAM64, QAM256 @ DVB-T2
Compliance	DVB-S = EN 300 421 DVB-S2 = EN 302 307-1V1.4.1 DVB-S2X = EN 302 307-2V1.1.1 DVB-C = EN 300 429/ITU-TJ.83 Annex A/C DVB-T = EN 300 744 DVB-T2 = ETSI EN 302 755
Supported input transport streams	MPEG-2 ISO/IEC 13818 MPEG-4 ISO/IEC 14496
Error correction	auto
Symbol rate	1,5...45 MS/s (<40MSymbol/s in 32APSK) @ DVB-S 1...7,2 Mbaud @ DVB-C
IPTV output	
Transportstreams SPTS MPTS	512 16
Total net data rate	800 Mbps
Data rate per tuner	125 Mbps
Supported transport protocols	UDP
Supported application protocols	RTP
Interfaces	
IPTV output	1×RJ-45
Compliance IPTV interface	IEEE 802.3, 1000 Base-T /1 GbE
Configuration interface	1 × RJ-45
Compliance configuration interface	IEEE 802.3, 100 Base-T
Supported configuration protocols	HTTP, SNMP v1, SNMP, v2c, AXING SMARTPortal*
General	
Operation voltage	100...240 VAC/50...60 Hz
Power consumption	70 W
Redundant power supply	2 × Hot pluggable

Operating temperature range (acc. to EN 60065)	-10°C...+50°C
Dimensions (W × H × D) appr.	480 × 47 × 253 mm
Weight	3,75 kg
Comments	* encrypted, cloud-based application for configuration, monitoring and remote maintenance

Example of use



Suitable products

MKS 1-01 Software extension for PID filtering